



Productivity Inc®

Haas TM-3 PRE-INSTALLATION CHECKLIST – Rev 1/2009

Installation of your new Haas TM-3 can be smooth and rapid if preparations are made prior to the delivery of your machine. Any questions regarding machine installation should be directed to our service department for clarification. We hope this checklist will aid in a rapid installation of your new machine. **NOTE: The following must be completed prior to our service technician arriving to install your new machine.**

- Power Requirements* for your machine: 208v/3-phase or 240v/1-phase, 9 kVa AMPS: 50 (1-ph), 30 (3-ph) Proper voltage per machine specifications should be ready at machine site. **Do NOT power up machine. A separate earth ground wire of the same conductor size as the input power must be connected to the chassis of the machine; must be supplied from the main plant ground. A local cold-water pipe or ground rod is not sufficient.**

If you wish to run off 460v, you will need an External Transformer, 460v/3ph/9kVa, 20 Amps**

** When a 366-428V 50/60 Hz internal transformer is used.

- Customer should furnish and have available the proper supply and types of lubricants required for machine operation.

ITEM	CAPACITY	FLUID TYPE
Coolant (Option)	14 Gallons (with optional CPK)	Water Soluble, Synthetic
Grease*	As needed	White Lithium

NOTE: You will need to have the coolant on hand at time of installation, if you purchase the Coolant Pump option.

- Air lines should be routed to the machine location and operational for proper air pressure.

The VMC requires a minimum of 100 PSI at 4 cfm at the input to the pressure regulator on the back of the machine. This should be supplied by at least a 1-HP compressor, with a minimum 20-gal tank, that turns on when the pressure drops to 100 PSI. The air must be supplied through a minimum 3/8" hose and fittings must be at least 1/4" NPT.

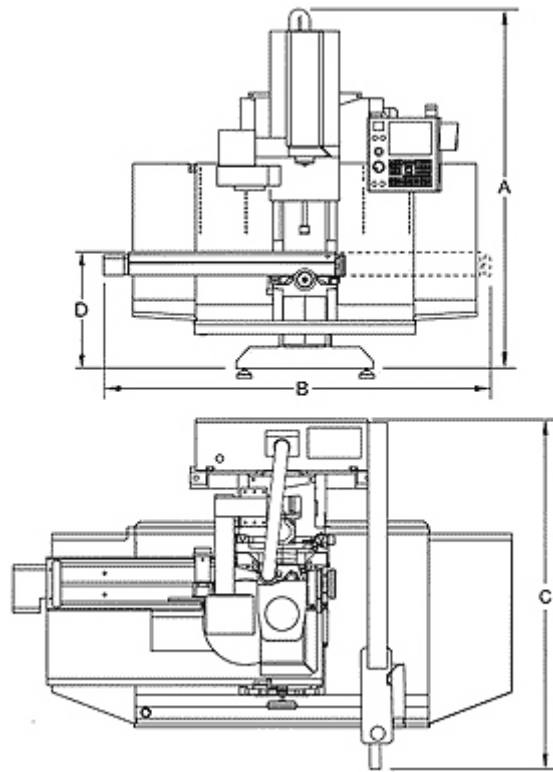
- Machine location should be planned to allow enough room for access panels to be opened and serviced with ease. **A minimum of 36" clearance around the machine is required for maintenance/operator access.**
- Weight requirements should be checked to insure that the surface below the machine will have sufficient strength for support and stability. The machine must be set on a solid, sound and stable, steel bar-reinforced concrete slab poured directly on the grade. In general, the 6" concrete floor on industrial buildings is suitable for machine placement.
- **The Toolroom Mill must be moved with a forklift. It CANNOT be craned. Upon arrival of your machine, uncrate and immediately check for visible damage.**

SHIPPING WEIGHT	SHIPPING DIMENSIONS OF MACHINE
5,460 # (skidded)	85" L x 81" W x 102" H (on skid)
Operational Dimensions: 4,950# See dimensions/layouts attached.	

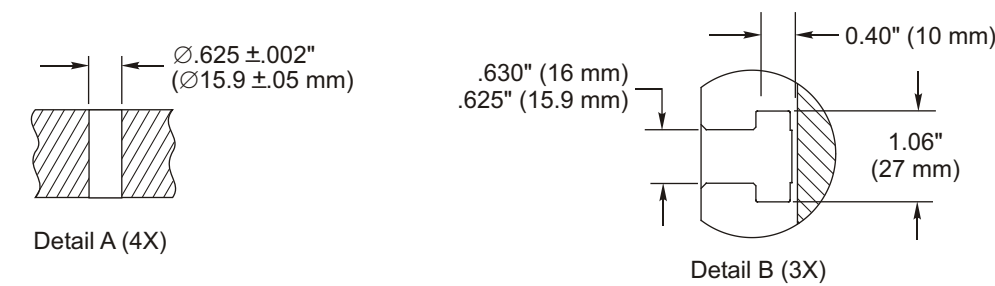
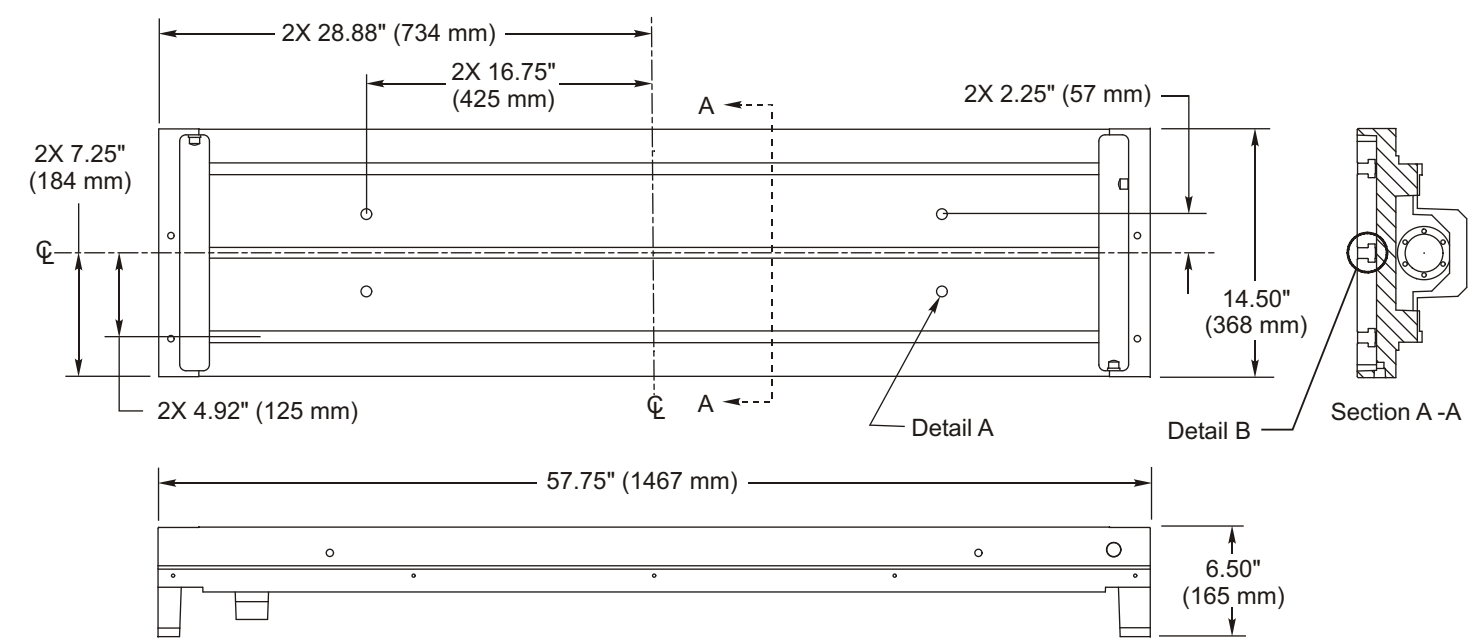
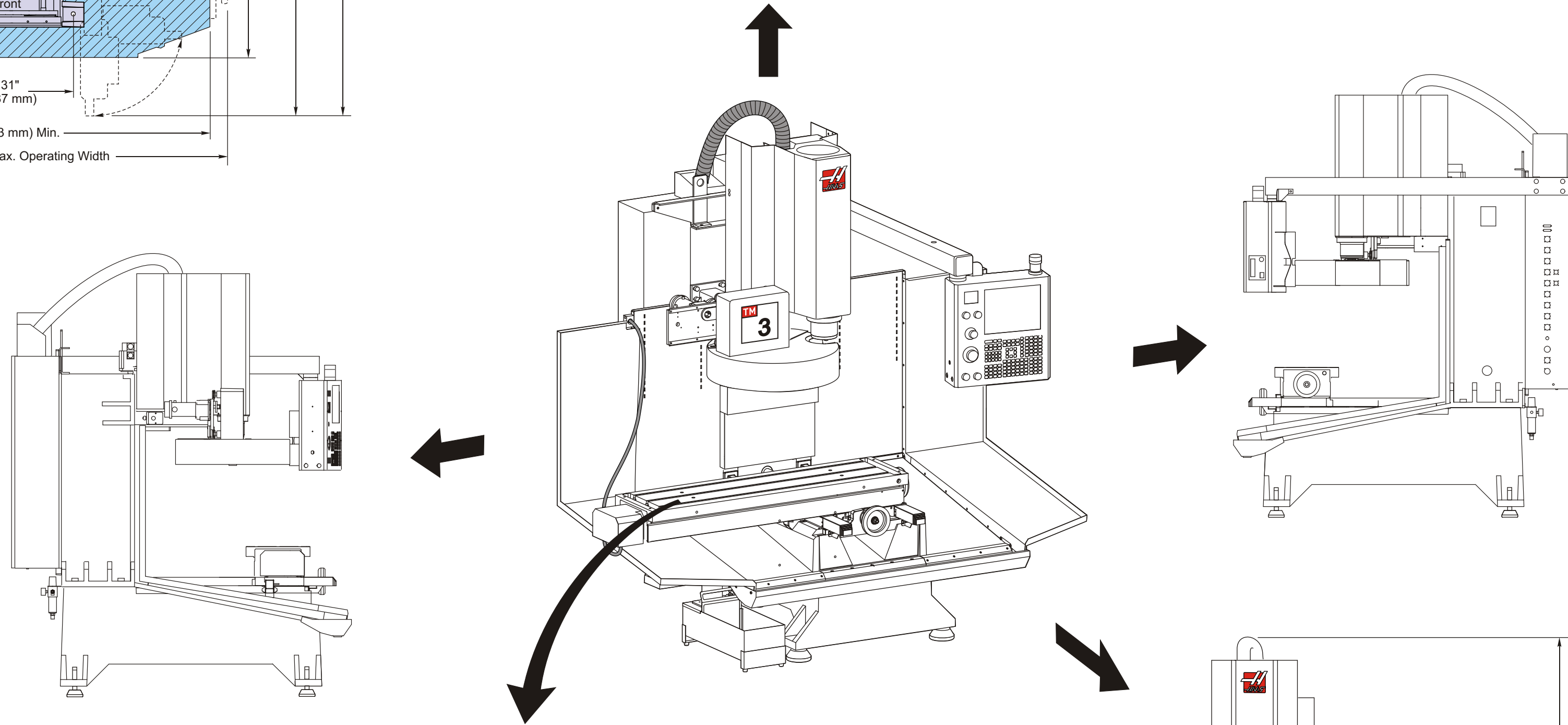
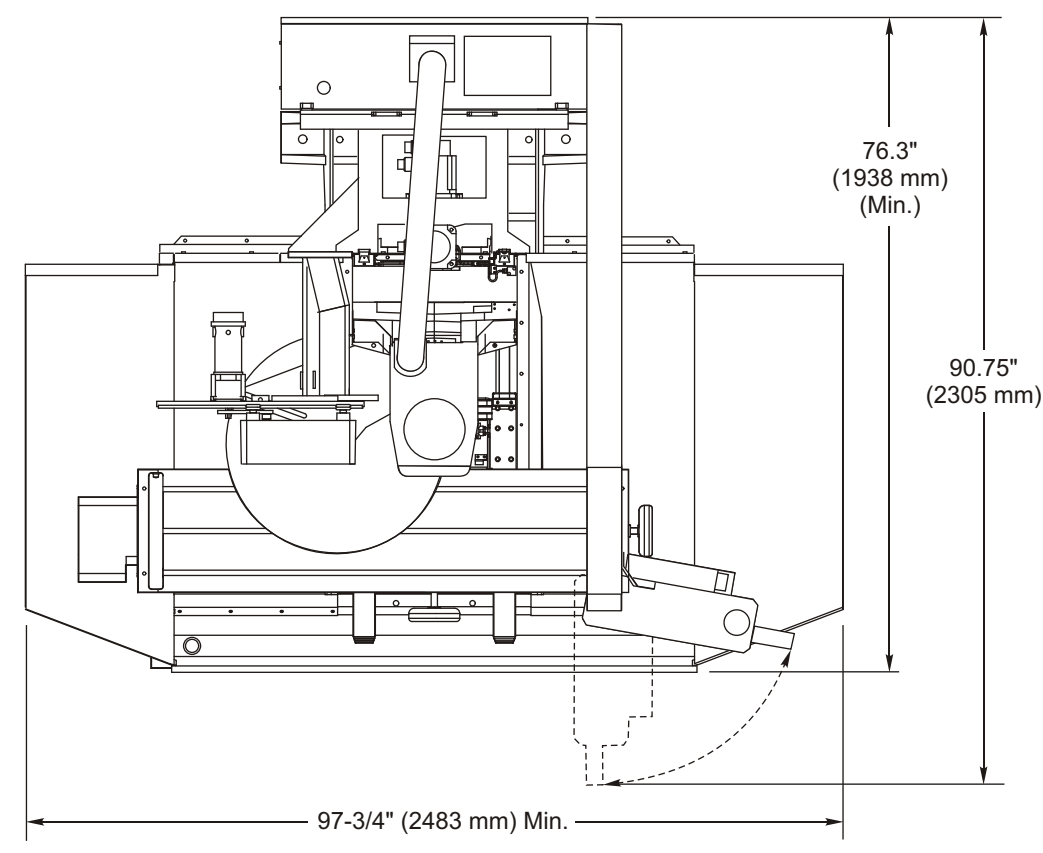
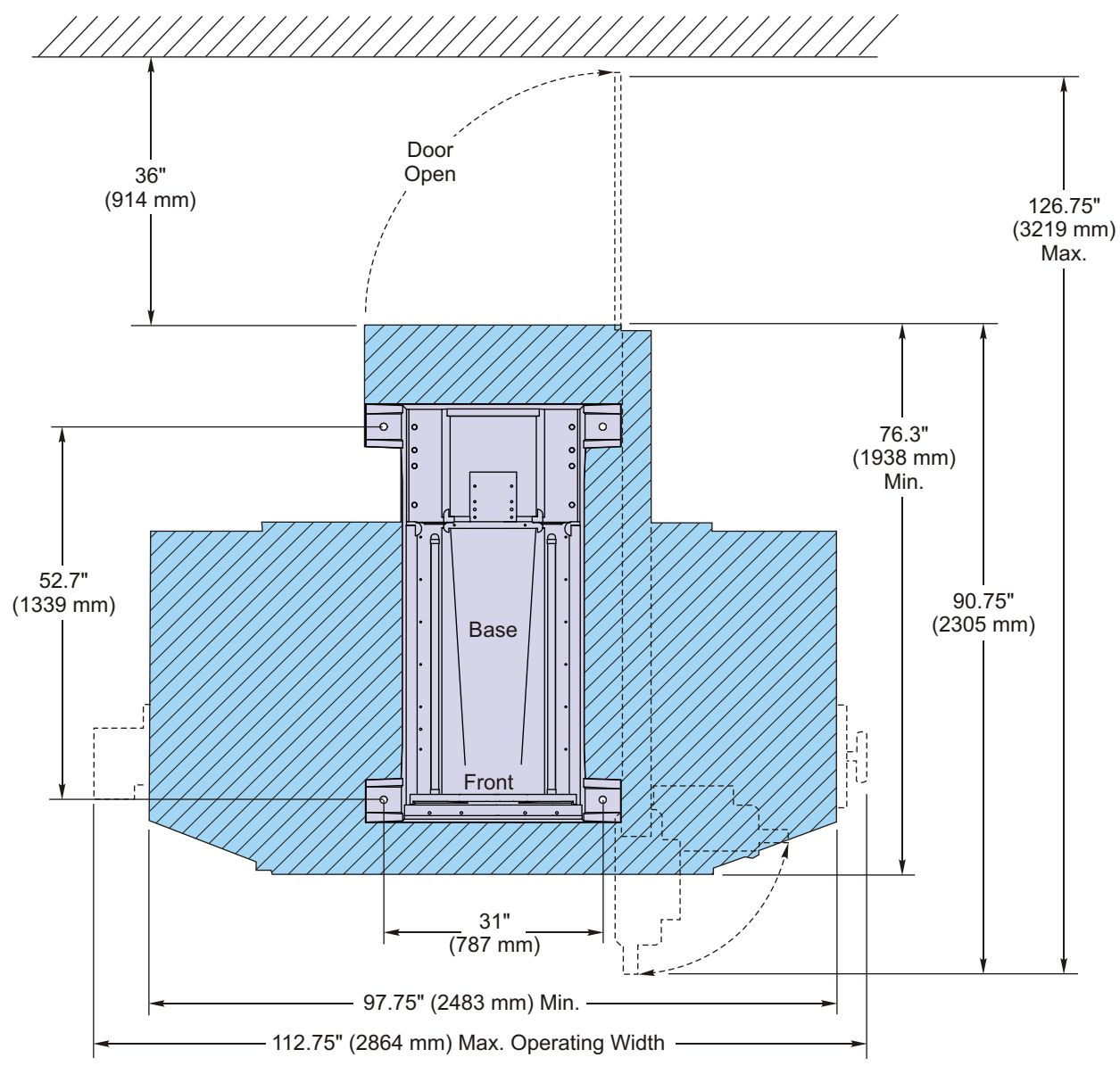
- **Remove as much preservative from the machine as possible without having to power up (tables – slides, pulleys, etc.). We recommend mineral spirits to clean. Apply oil when finished to prevent rust.**

PLEASE FORWARD THIS TO THE APPROPRIATE PERSON. THANK YOU.

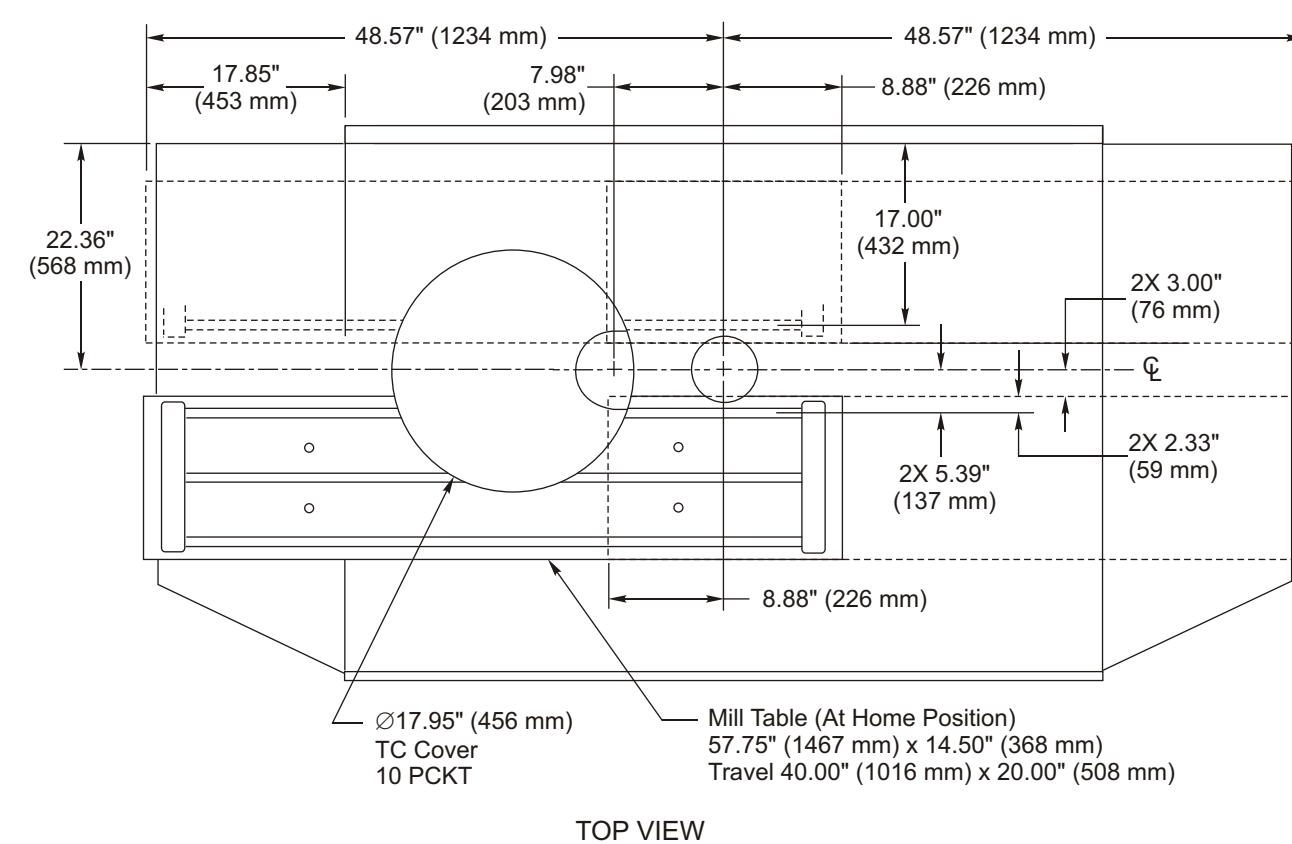
Toolroom TM-3 Dimensions/Layout



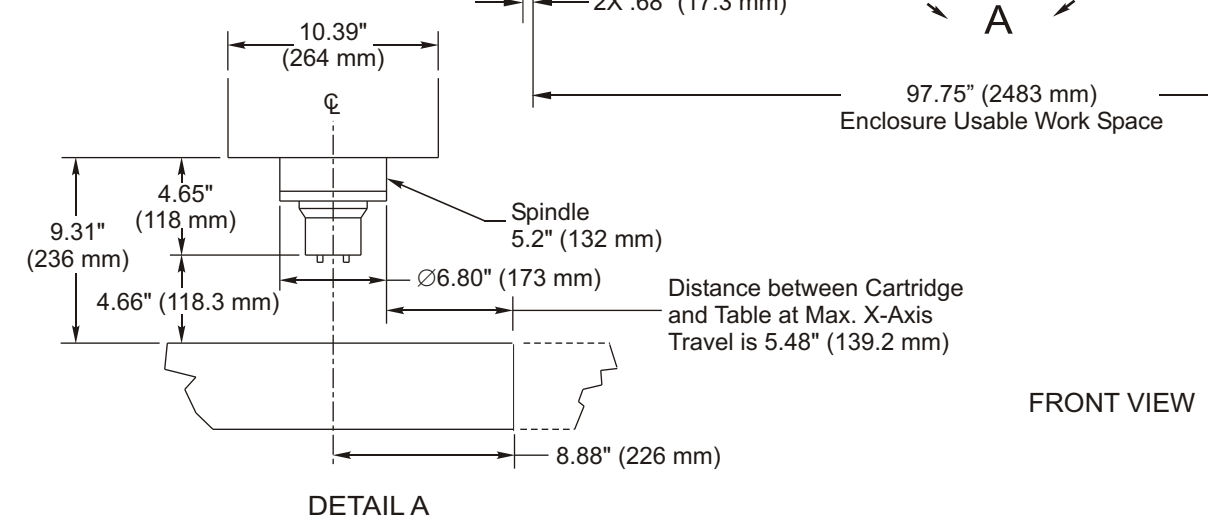
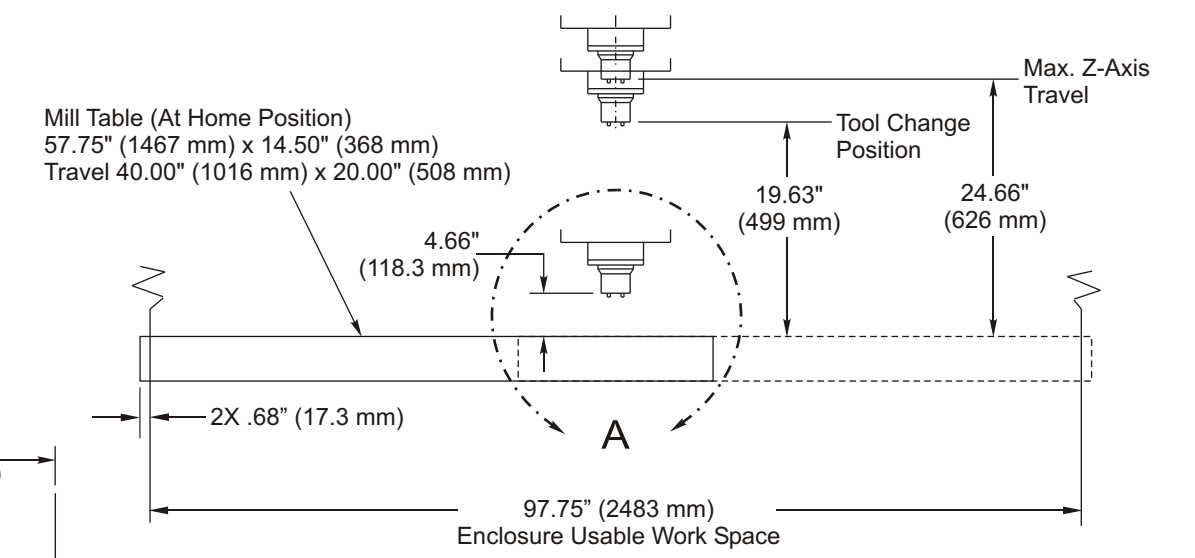
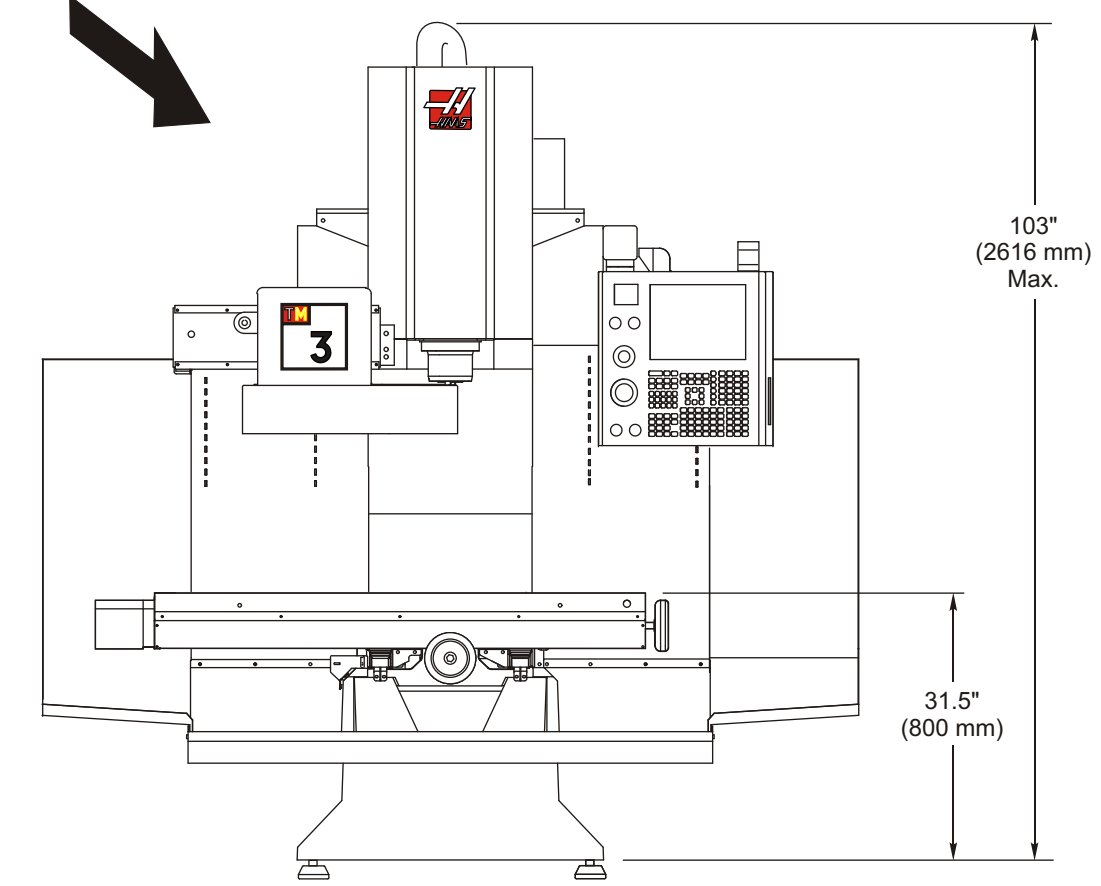
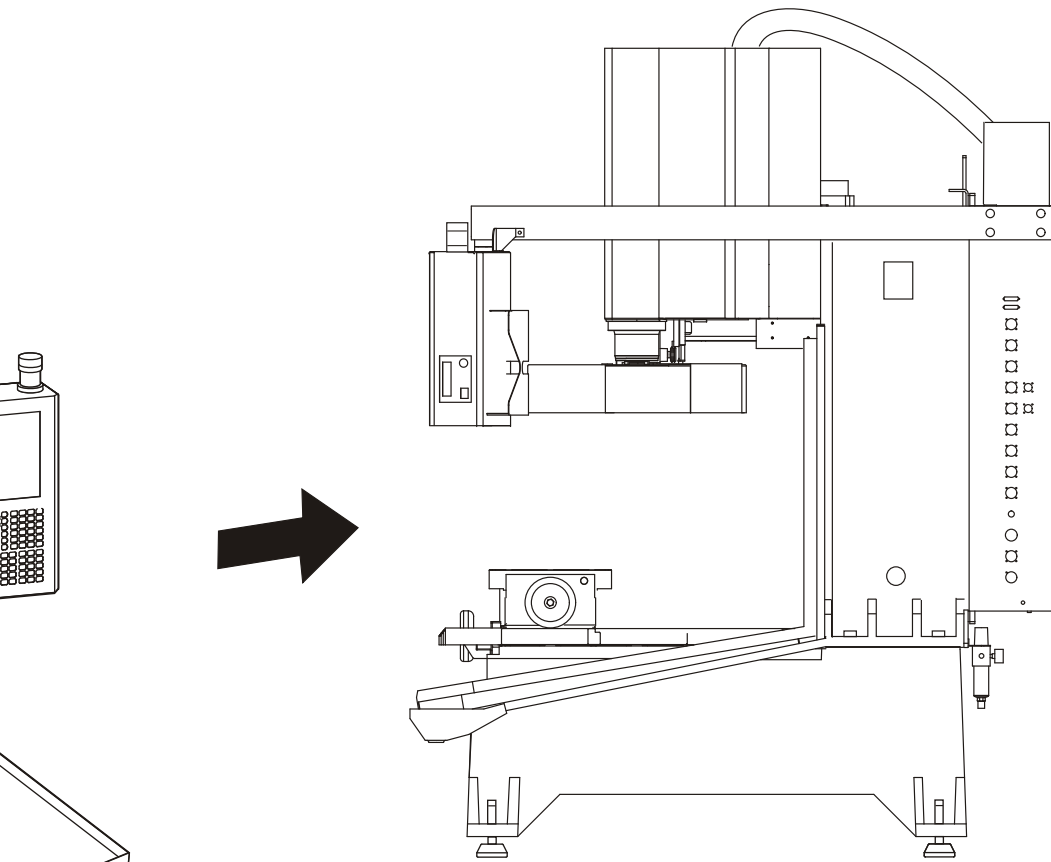
	Mix View	
A	103 "	
B	106 "	
C	87 "	
D	36 "	



TM-3 Table Dimensions



TOP VIEW



FRONT VIEW

DETAIL A

TM-3 Enclosure Useable Work Space